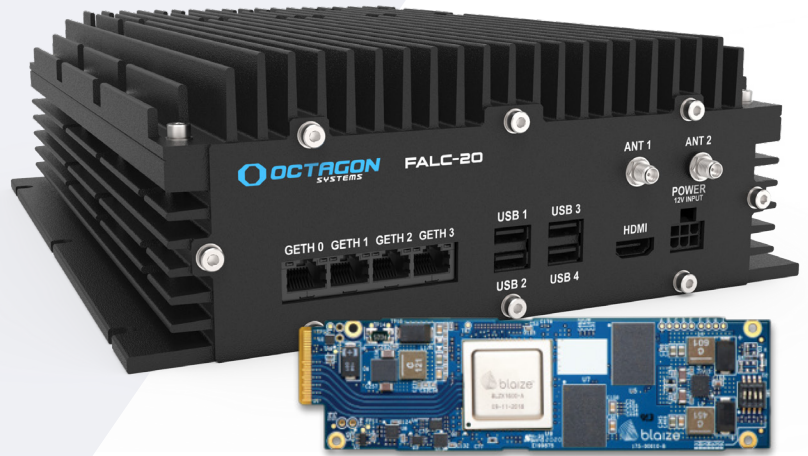


FIRE-FALC

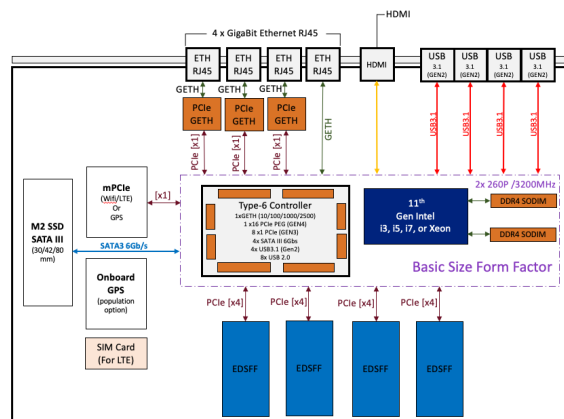
MARKETS SERVED

- ✓ Video Surveillance & Security
- ✓ Smart City
- ✓ Autonomous Transportation
- ✓ Robotics
- ✓ Construction & Mining
- ✓ Defence & Public Infrastructure
- ✓ Agriculture



PRODUCT HIGHLIGHTS

- ✓ Multiple Small Form Factors options
- ✓ Ultimate flexibility:
 - ✓ Expansion for GSP, memory, & wireless interfaces
 - ✓ COMe Type 6 for processor optimization (x86, ARM, etc.)
 - ✓ Two cooling methods available
- ✓ Up to 4 Blaize® Xplorer™ X1600E Accelerators providing up to 64 TOPS and H.265 & H.264 video encode and decode
- ✓ 5-40 HD 1080P cameras dependent on fps requirements



Single to Quad X1600E Configuration

FEATURES

| | |
|---|---|
| OPERATING SYSTEM | Windows IOT, Linux 5.3.0-46 or later, Ubuntu 18.04 |
| PROCESSOR | Multiple 11 th generation Intel processor options including Core i3, i5, i7, and XEON with 4 to 8 cores @ up to 2.6GHz |
| MEMORY | 3x SODIMMS up to 128GB DDR4 (3200 MHz) |
| GRAPHICS & STORAGE EXPANSION SLOTS | Up to four (4) x4 PCIe 3.0 expansion slots for: <ul style="list-style-type: none"> - Blaize® Xplorer™ X1600E Accelerators. Each with a 16 core El Cano GSP 1600 SoC providing 12 or 16 TOPS, 4GB VRAM, and 7-15W TDP per chip, or; - E1.S SSD cards Up to 1TB via M.2 (SATA 3) memory slot in S30, S42 or S80 formats |
| WIRELESS CONNECTIVITY | Optional: WiFi 802.11 a/b/g/n/ac Optional: GSM/GPRS/LTE Cellular Support Optional: 72 Channel Engine Concurrent, Multi-GNSS: GPS, GLONASS, GALILEO, QZSS, SBAS |
| SENSOR CONNECTIVITY | Up to 6 HD resolution cameras, 1080P @ 30fps 2 cameras, 8K @ 15fps |
| VIDEO | H.265 & H.264 video encode and decode |
| POWER REQUIREMENT | MIL-STD-1275, MIL-STD 461, 18 to 36V (200W max) |
| MECHANICAL¹ | Two form factors, with dimensions (H x W x D) of: <ul style="list-style-type: none"> - Fan-cooled – 2.00" x 8.00" x 13.25" - Conduction-cooled – 3.55" x 9.85" x 11.88" |
| ENVIRONMENTAL | Operating temp.: -40°C to 70°C Storage temp.: -40°C to 85°C |
| I/O | Up to Four (4) 1GbE Ethernet Ports Four (4) USB 3.1 Gen 2 (10G) One (1) HDMI port |
| COMPLIANCE | RoHS, WEE, CE, FCC |

¹ TBC based on thermal simulations in progress



ORDERING INFORMATION

